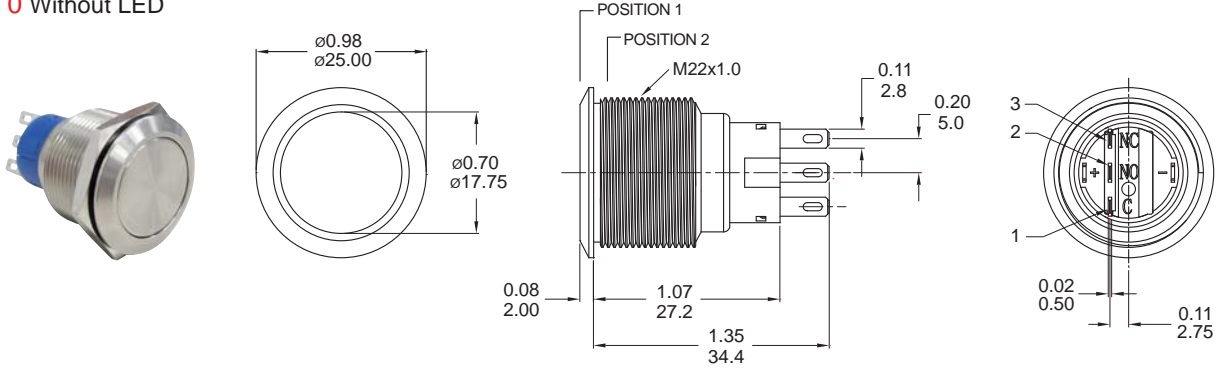


MPB22 Series

22mm Metal Pushbutton Switches

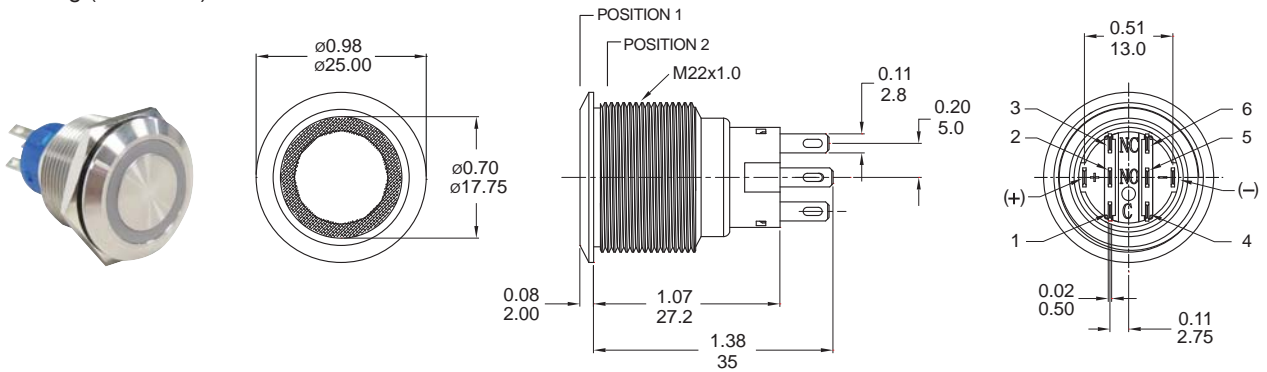
LIGHT TYPE

0 Without LED



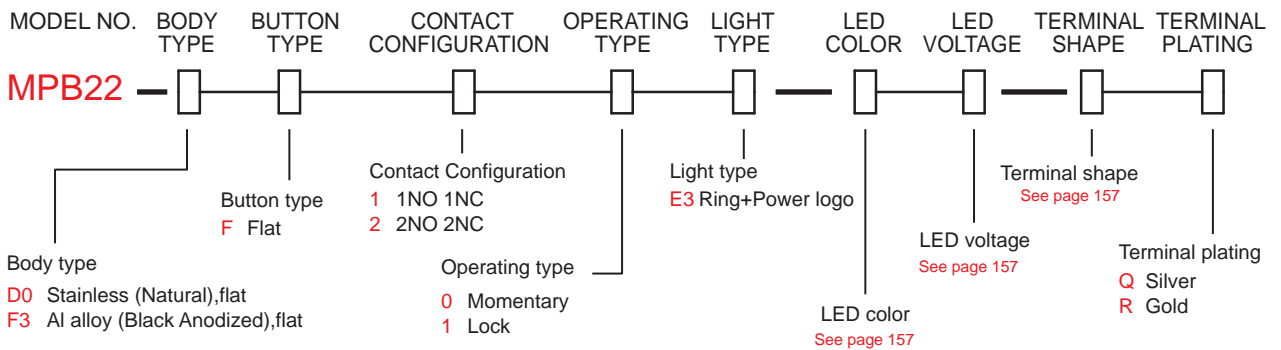
Part No. Shown : MPB22-A0F1□0-JQ

E Ring (Moveable)

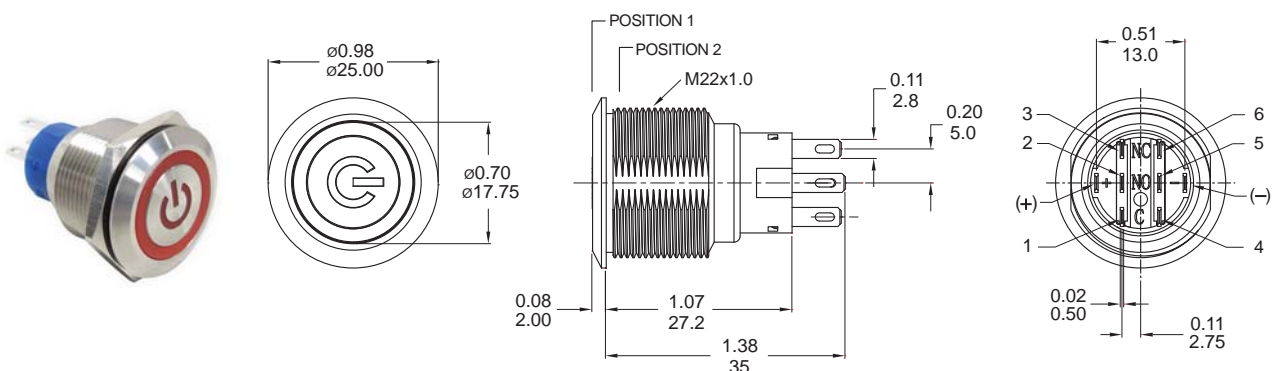


Part No. Shown : MPB22-A0F2□E-□□-JQ

HOW TO ORDER



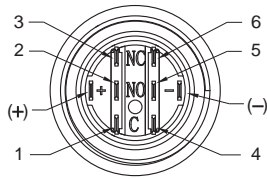
E3 Ring+Power logo



Part No. Shown : MPB22-D0F2□E3-□□-JQ

MPB22 Pushbutton Switches

CIRCUIT



POSITION 1

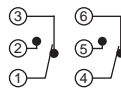


Without LED (1 Pole)

POSITION 2

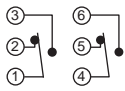


POSITION 1



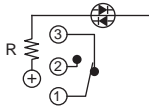
Without LED (2 Poles)

POSITION 2



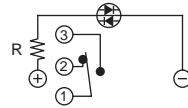
Single Color Led

POSITION 1

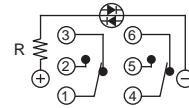


With LED (1 Pole)

POSITION 2

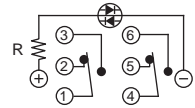


POSITION 1



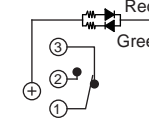
With LED (2 Poles)

POSITION 2



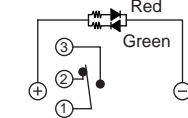
Dua Color Led

POSITION 1

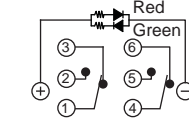


With LED (1 Pole)

POSITION 2

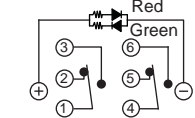


POSITION 1



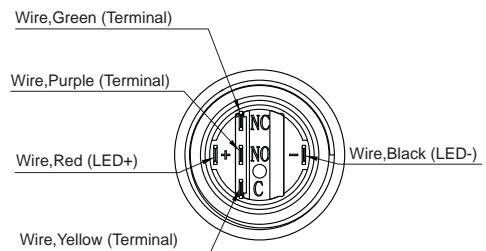
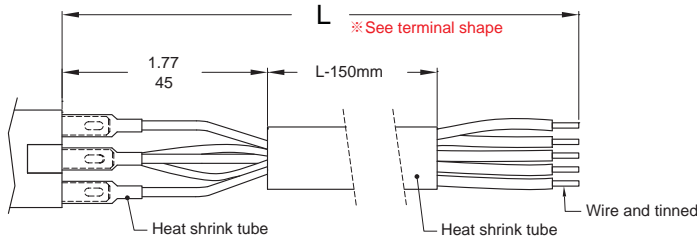
With LED (2 Poles)

POSITION 2

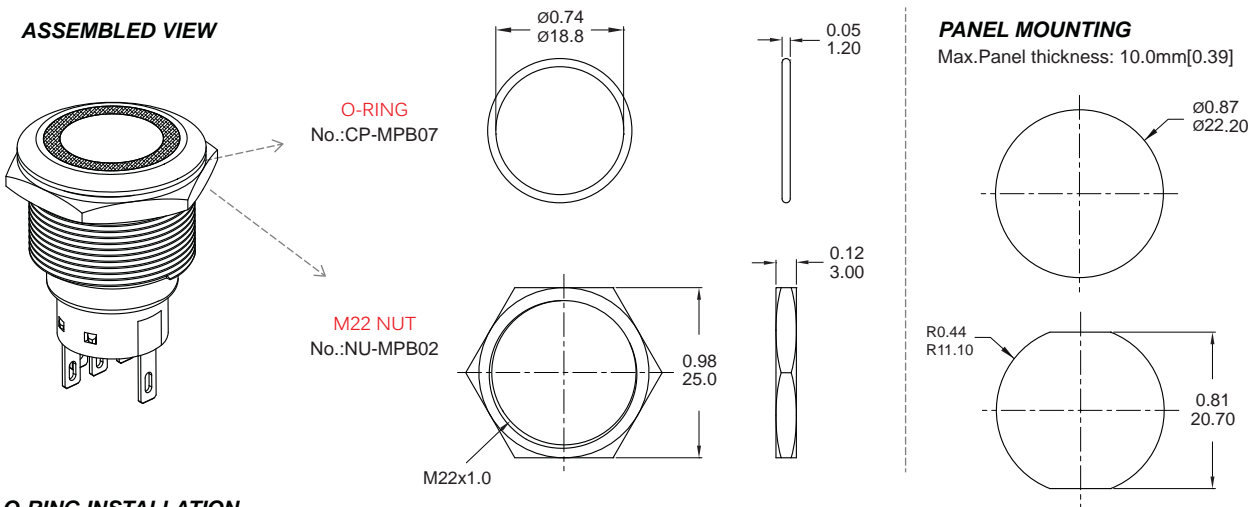


Wire (Flying lead Terminals)

※ Wire=UL 3385, 18AWG, 300V(Black/Yellow/Green/Red/Purple)



ASSEMBLED VIEW



O-RING INSTALLATION

Proposal	In front of the panel	Behind the panel
Installation Diagram		