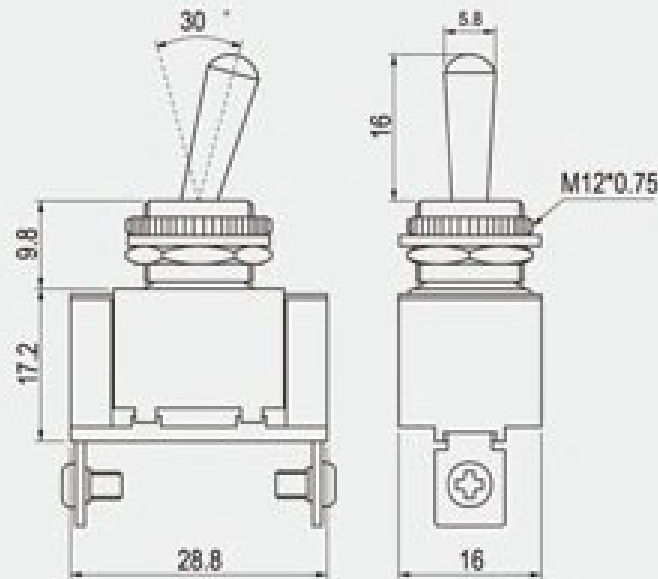


R13-5.6.7

Metal Housing



Rating

10A 125V AC
6A 250V AC

Contact resistance

50mΩ Max

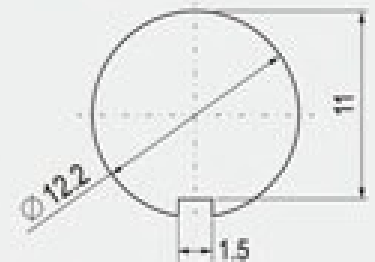
Insulation resistance

DC 500V 100MΩ Min

Dielectric strength

AC 1500V 1 minute

Cut-out



±0.15 4 mm max

FEATURES

- * MATERIAL: Metal lever and bushing are nickel plated metal. Frame is nickel plated steel. Base is phenolic.
- * Indicator plate, waterproof boot (W-70B) and safety cover are optional.



R13- -

FUNCTION



TERMINAL

0 1 .250" SQ

0 5 SO

0 6 SC 3

0 7 SC 4