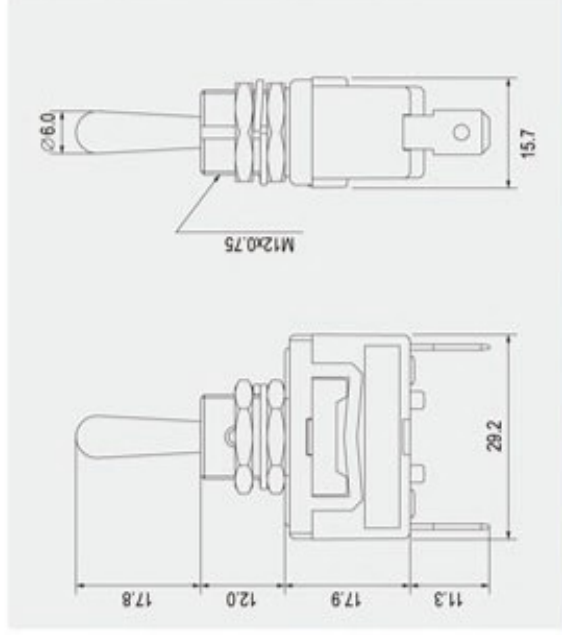


# R13-29



<b>Rating</b>	15A 125V AC 1/8HP 10A 250V AC 1/3HP
<b>Contact resistance</b>	50mΩ Max
<b>Insulation resistance</b>	DC 500V 100MΩ Min
<b>Dielectric strength</b>	AC 1500V 1 minute
<b>Cut-out</b>	6 mm max

## FEATURES

- \* MATERIAL: Metal lever and bushing are nickel plated steel. Frame is metal plated steel. Base is phenolic.
- \* Standard toggle lever.
- \* Indicator plate and waterproof boot are optional.



## R13-29

	FUNCTION		TERMINAL
<b>A</b>			<b>0 1</b>
<b>B</b>			<b>0 5</b>
<b>C</b>			<b>0 6</b>
<b>D</b>			<b>0 7</b>
<b>E</b>			<b>K</b>
<b>F</b>			<b>M</b>
<b>G</b>			
<b>H</b>			

\* ( ) = momentary