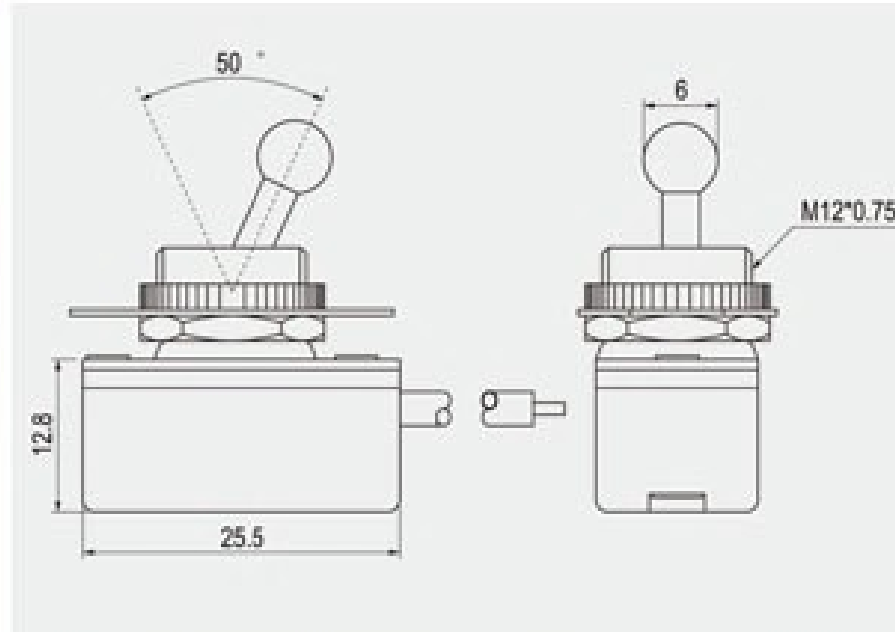
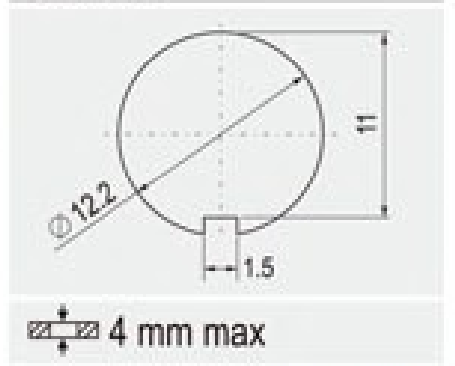


R13-36



| |
|------------------------------|
| Rating |
| 6A 125V AC 3A 250V AC |
| Contact resistance |
| 50mΩ Max |
| Insulation resistance |
| DC 500V 100MΩ Min |
| Dielectric strength |
| AC 1000V 1 minute |
| Cut-out |



FEATURES

- * MATERIAL: Metal lever and bushing are nickel plated metal. Frame is metal plated steel. Base is phenolic.
- * Indicator plate and waterproof boot (W-70B for lever #3) are optional.



R13-36

| FUNCTION | LEVER & MOUNTING SHAFT | TERMINAL |
|-----------------------------------|-------------------------------------|---|
| A ON OFF 2P SPST | 1 8.8 4.3 mm max | 0 5 SO 0 8 SC 6-32UNC 1 1 WIRE |
| | 2 6.5 2 mm max | |
| | 3 14.5 10.0 mm max | |

