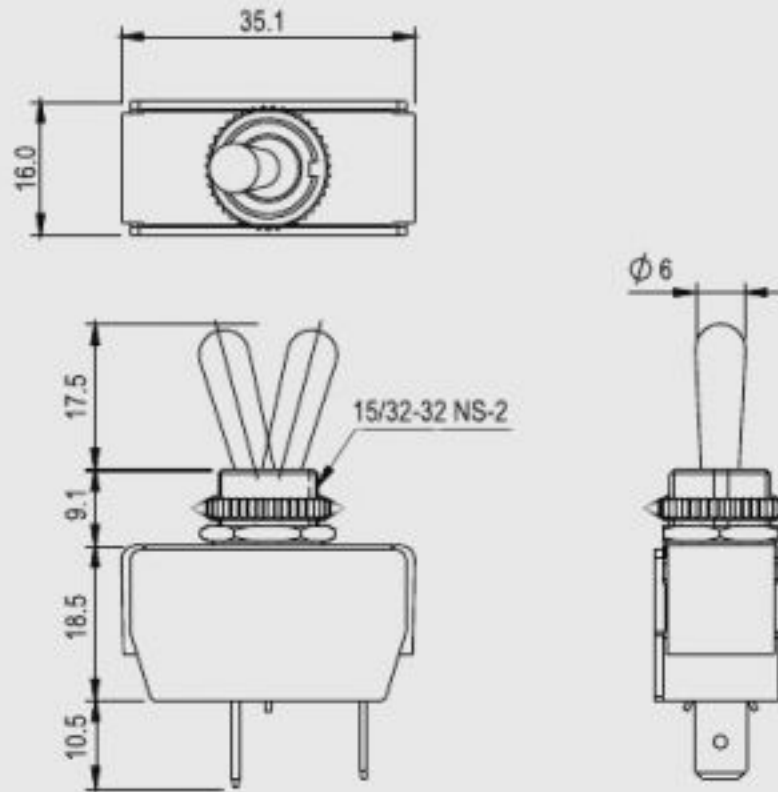


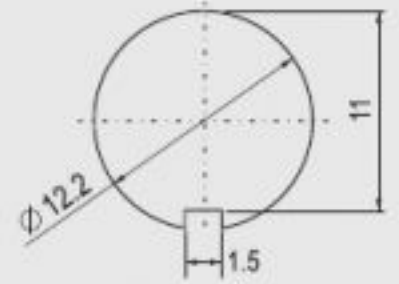
# R13-447



IP56



Rating
16(4)A 250V AC (A,N,R)
12(4)A 250V AC (C,D,G,H,I)
Contact resistance
50mΩ Max
Insulation resistance
DC 500V 100MΩ Min
Dielectric strength
AC 1500V 1 minute
Cut-out



6 mm max

## FEATURES

- \* MATERIAL: Metal lever is nickel plated metal. Bushing is nylon with glass fiber ( UL flame: 94V-0). Frame is nylon ( UL flame: 94V-2).
- \* Watertight boot (W-72) is optional for lever #1 only.

## R13-447

FUNCTION		LEVER	TERMINAL
<b>A</b>		<b>1</b> Metal Lever 	<b>0 1</b> .250" SQ
			<b>0 5</b> SO
			<b>0 8</b> SC 6-32UNC
			<b>1 2</b> SO
<b>H</b>		<b>3</b> Plastic Lever 	
<b>C</b>			
<b>I</b>			
<b>D</b>			
<b>N</b>			
<b>G</b>			
<b>R</b>			

\* ( ) =momentary

