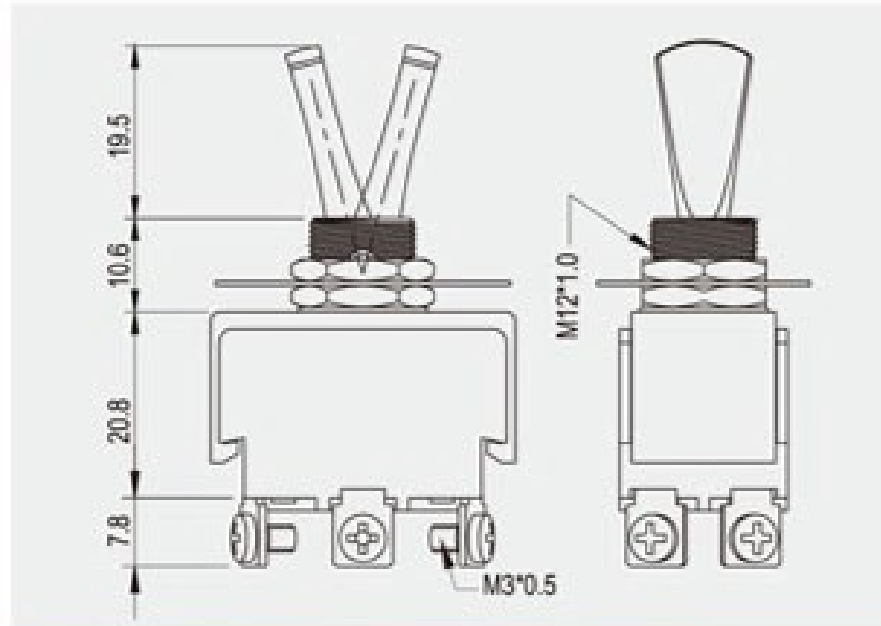
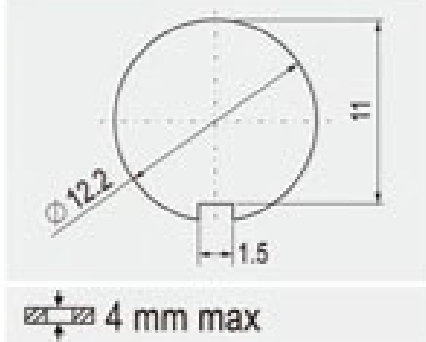


R13-450

Plastic Lever



Rating
10A 125V AC 6A 250V AC
Contact resistance
50mΩ Max
Insulation resistance
DC 500V 100MΩ Min
Dielectric strength
AC 1500V 1 minute
Cut-out



FEATURES

- * MATERIAL: Paddle, bushing and frame are nylon (UL flame: 94V-2). Base is phenolic.
- * Indicator plate is optional.

R13-450 -

FUNCTION		TERMINAL
B		0 1 .250" SQ
E		0 5 SO
		0 6 SC 3
		0 7 SC 4
		0 8 SC 6-32UNC

* () = momentary